

## FEATURES

- Economical version
- SS measuring system
- Compact case
- Dry execution

## APPLICATION

- Air conditioning
- Refrigeration

### Economical



#### STANDARD PARAMETERS

Accuracy	: CL 1.6
Ambient temperature	: -20...+65°C
Service temperature	: 100°C max.
Pressure limits	: Steady pressure up to 75% of FS value : Short time 1.3 x FS value for range up to 100 bar
Weld joints	: TIG argon arc welding

#### MATERIAL OF CONSTRUCTION

Sensing element	: Bourdon Tube (<100 bar : C - type)
Case & Ring material	: Steel, powder coated / painted (Push fit type)
Bourdon tube & Shank	: Phosphor Bronze
Movement mechanism	: Copper Alloy
Dial	: Aluminum, black graduation on white background
Pointer	: Fixed, aluminum, black powder coated
Window	: Sheet glass

#### STANDARD SPECIFICATIONS

Dial size	: DN63 & DN100
Range (With Amonia Scale)	: -1...12.5 bar [B58], -1...16 bar [B47], -1...25 bar[B49] : -30"Hg...150 psi [S45], -30"Hg...300 psi [S48] 0...300 psi [S12]
Mounting pattern	: Direct, Bottom connection
Process connection	: 1/4" NPT (M) 1/4" BSP (M)
Execution	: Dry

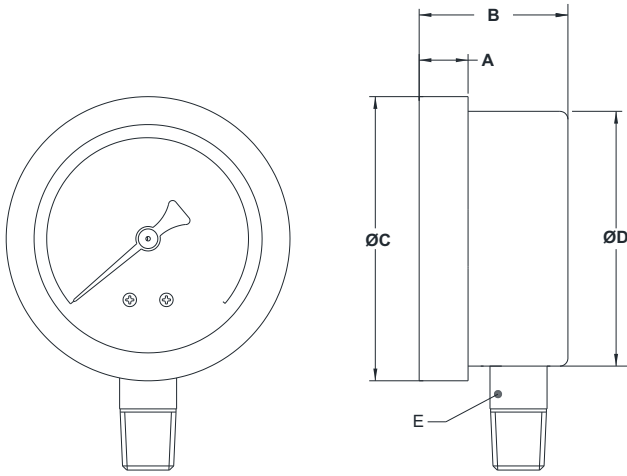
#### TEMPERATURE EFFECT

When temperature of the measuring system deviates from reference temperature (+20°C) max error  $\pm 0.4\%$  / 10K of true scale value.

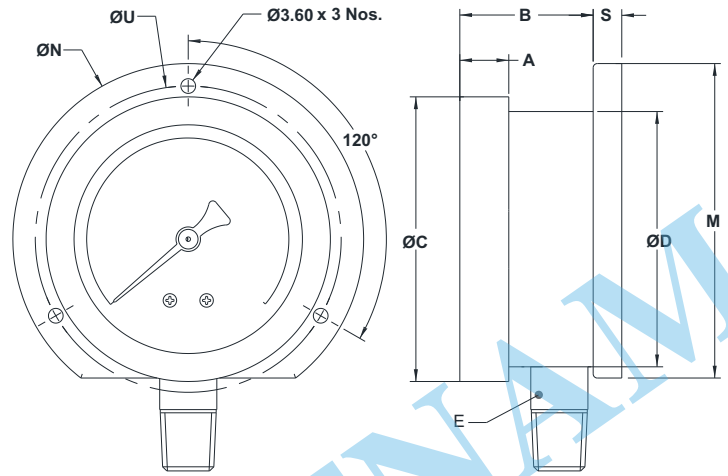
## REFERENCE

DIMENSIONAL DRAWING

Type B0



Type B1



DN	A	B	ØC	ØD	E	Weight (grams)
63	12	30	63	62	14	190
100	12.5	35.5	100	98	19	480

DN	A	B	ØC	ØD	E	M	S	ØN	ØU	ØI	Weight (grams)
63	12	30	63	62	14	80	5	88	79	5	235
100	13	36	99	97	17	117	1.2	132	118	6	580

All dimensions are in mm.

ORDERING CODES

1. DIAL SIZE

25	63 mm / 2½"
04	100 mm / 4"

25

2. RANGE

XXX	Refer "Range Table"
-----	---------------------

XXX

3. MOUNTING PATTERN

B0	Direct Bottom connection
B1	Wall/Surface/Projection mounting, Bottom connection

B0

4. PROCESS CONNECTION

12N	¼" NPT (M)
13N	3/8" NPT (M)
12B	¼" BSP (M)
13B	3/8" BSP (M)

12N

5. INGRESS PROTECTION

EV	IP 54
----	-------

EV

6. EXECUTION

EA	Dry
----	-----

EA

7. OTHER OPTIONS

EZ	Pointer stop on dial
XR	Custom designed dial
TA	5 - point calibration certificate
XF	SS tag plate, AISI 304 SS

XX

Ordering Example : P903-25-XXX-B0-12N-EV-EA

NOTES

1. For other connections, please contact factory.